

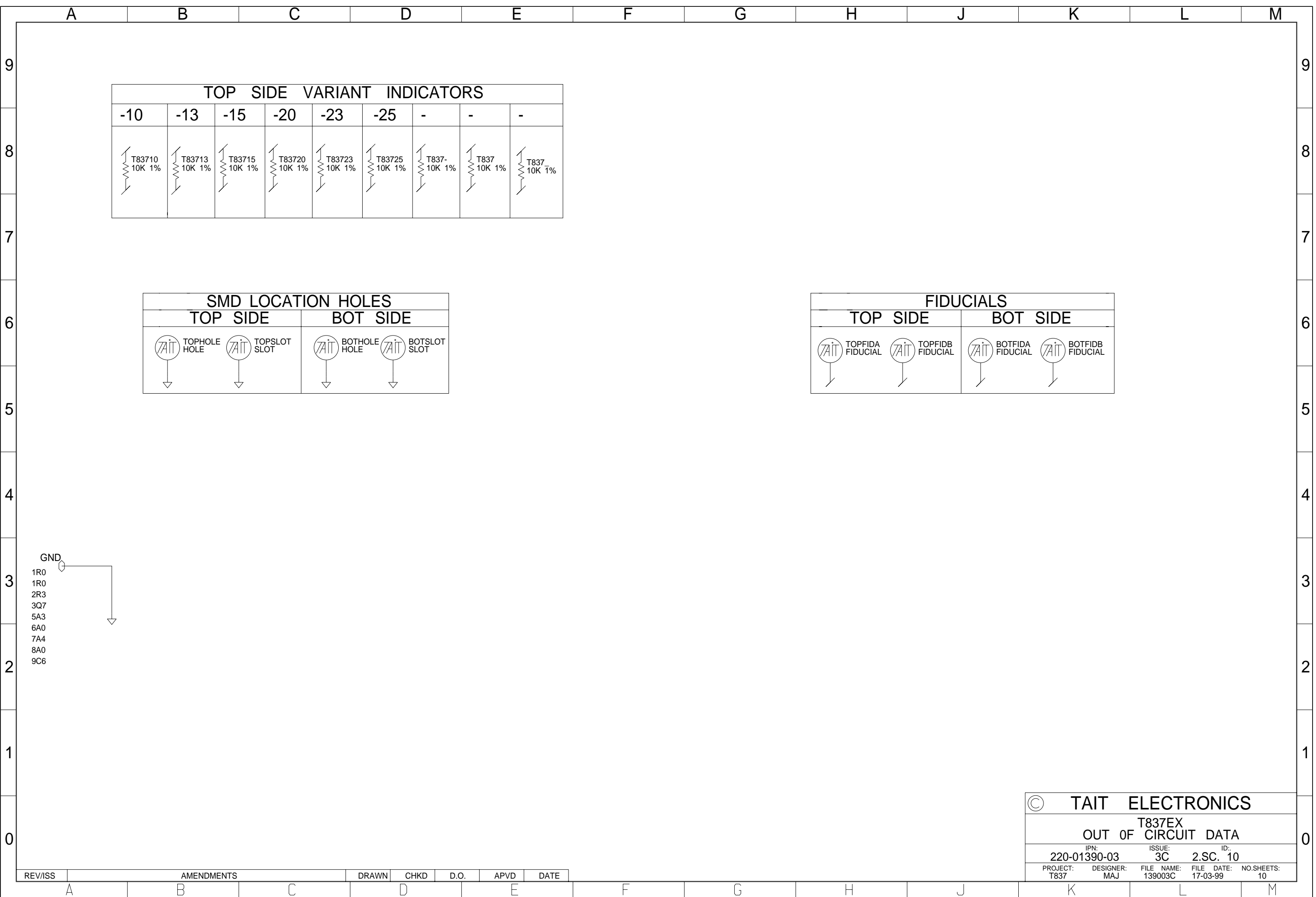
3B	BOM CHANGES ONLY	MAJ				
3A	ADDED PAGING MOD	MAJ				
2B	CHANGED L305 FROM 35H45 TO 35H40	DAVES				
2A	7094.7129.0000.7130	DAVES				
1A	D-RUN-UPDATE	DAVES				
0A	ORIGINAL	DAVES				
REV/ISS	AMENDMENTS	DRAWN	CHKD	D.O.	APVD	DATE

PL100
15 WAY R-ANGLE DRANGE PLUG

OUT-OF-CIRCUIT-DATA
SHEET 10

© TAIT ELECTRONICS
T837EX

IPN:	ISSUE:	ID:
220-01390-03	3C	2.SC. 1
PROJECT:	DESIGNER:	FILE NAME:
T837	MAJ	139003C
FILE DATE:	NO. SHEETS:	
17-03-99	10	



TOP SIDE VARIANT INDICATORS								
-10	-13	-15	-20	-23	-25	-	-	-

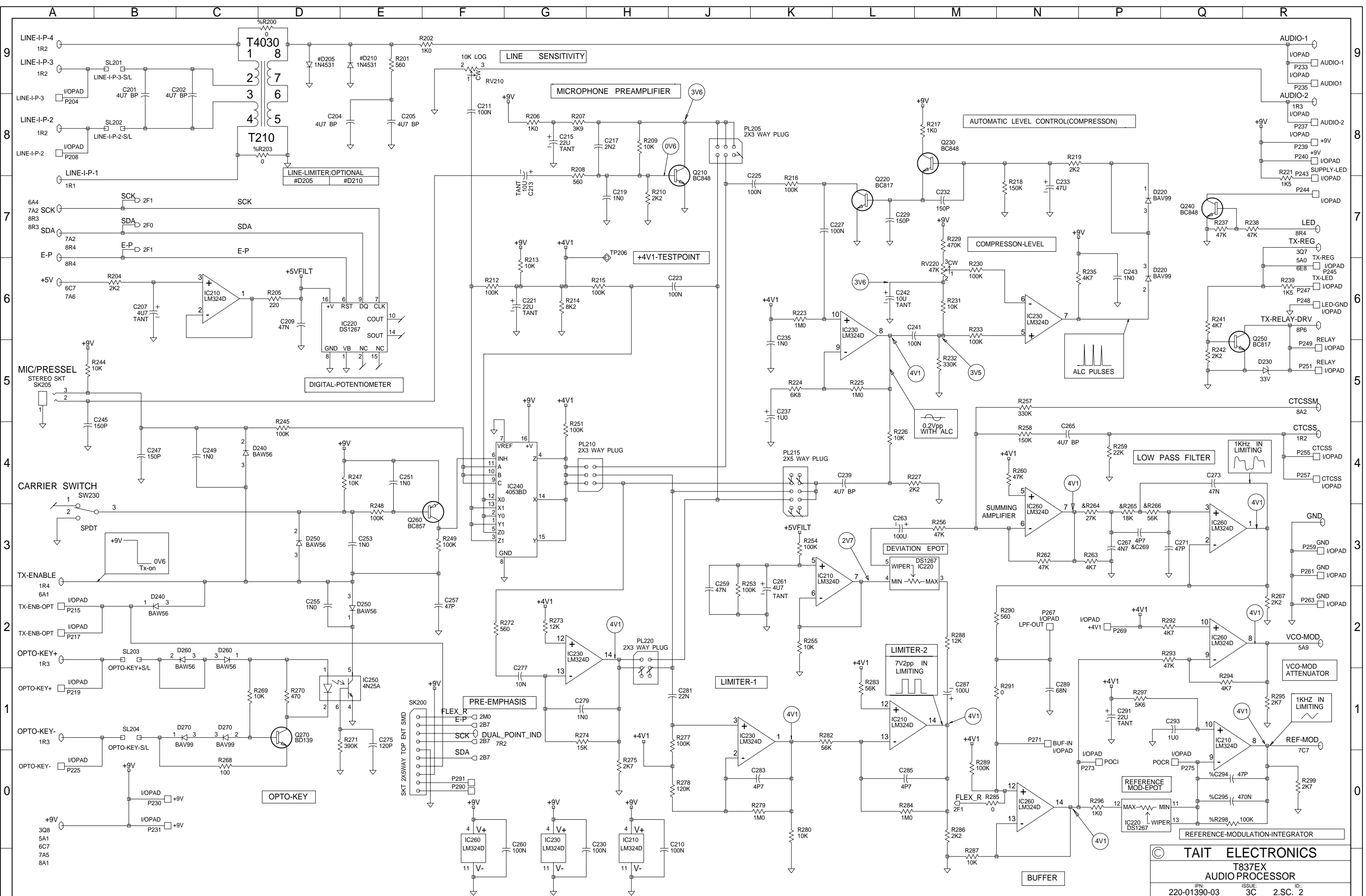
SMD LOCATION HOLES			
TOP SIDE		BOT SIDE	

FIDUCIALS			
TOP SIDE		BOT SIDE	

- GND
- 1R0
 - 1R0
 - 2R3
 - 3Q7
 - 5A3
 - 6A0
 - 7A4
 - 8A0
 - 9C6

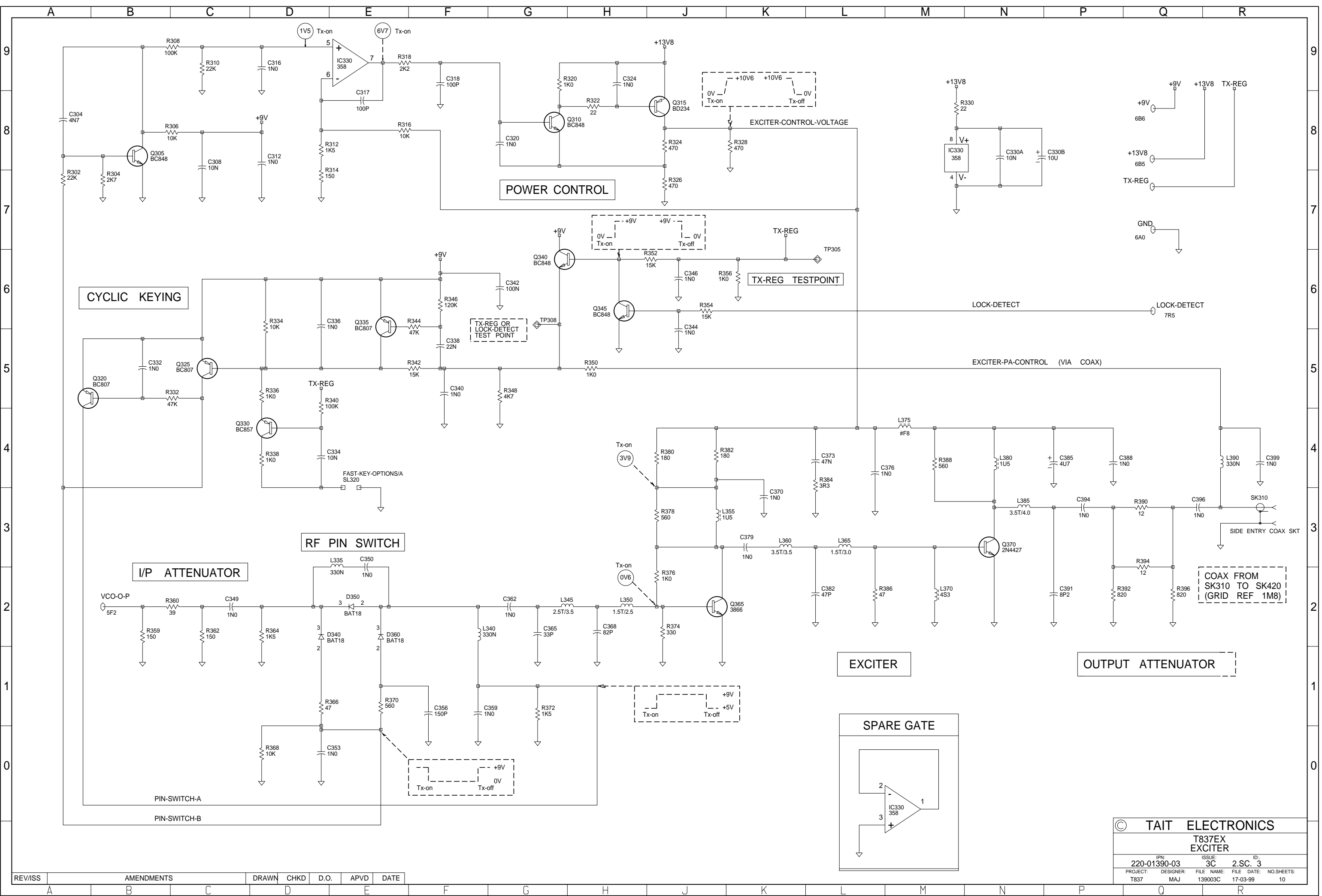
© TAIT ELECTRONICS				
T837EX				
OUT OF CIRCUIT DATA				
PROJECT:	DESIGNER:	FILE NAME:	FILE DATE:	NO.SHEETS:
T837	MAJ	139003C	17-03-99	10

REV/ISS	AMENDMENTS	DRAWN	CHKD	D.O.	APVD	DATE



© TAIT ELECTRONICS
T837EX
AUDIO PROCESSOR
 IPN: 220-01390-03 ISSUE: 3C ID: 2.S.C. 2
 PROJECT: T837 DESIGNER: MAJ FILE NAME: 139003C DATE: 17-03-99 NO.SHEETS: 10

REV/ISS	AMENDMENTS	DRAWN	CHKD	D.O.	APVD	DATE
A						
B						
C						
D						
E						
F						
G						
H						
J						
K						
L						
M						
N						
P						
Q						
R						



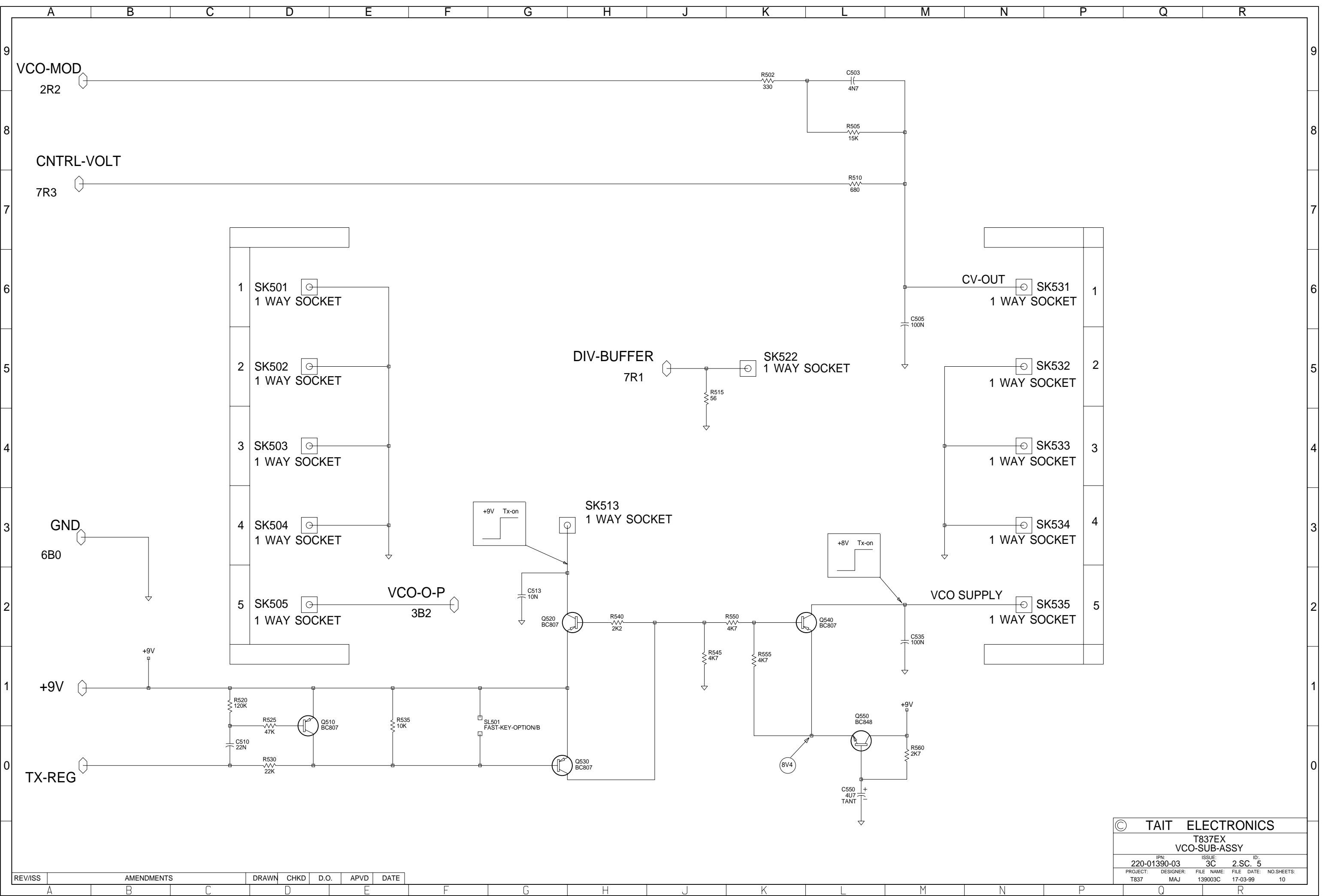
© TAIT ELECTRONICS			
T837EX EXCITER			
IPN: 220-01390-03	ISSUE: 3C	ID: 2.S.C. 3	
PROJECT: T837	DESIGNER: MAJ	FILE NAME: 139003C	FILE DATE: 17-03-99
			NO.SHEETS: 10

REV/ISS	AMENDMENTS	DRAWN	CHKD	D.O.	APVD	DATE

	A	B	C	D	E	F	G	H	J	K	L	M	N	P	Q	R
9																
8																
7																
6																
5																
4																
3																
2																
1																
0																

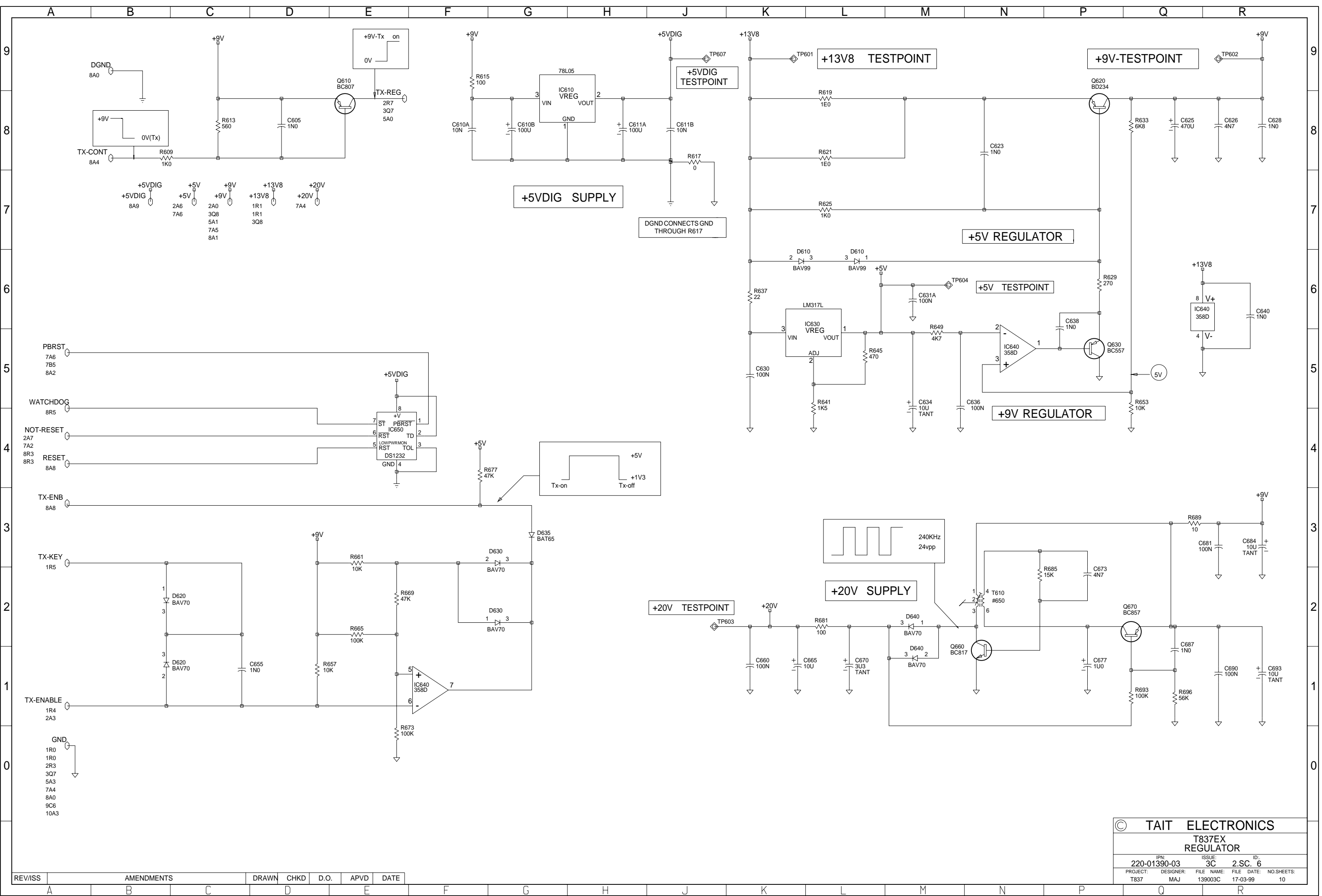
© TAIT ELECTRONICS				
T837EX				
IPN:	ISSUE:	ID:		
220-01390-03	3C	2.SC. 4		
PROJECT:	DESIGNER:	FILE NAME:	FILE DATE:	NO. SHEETS:
T837	MAJ	139003C	17-03-99	10

REV/ISS	AMENDMENTS			DRAWN	CHKD	D.O.	APVD	DATE
	A	B	C	D	E	F	G	H

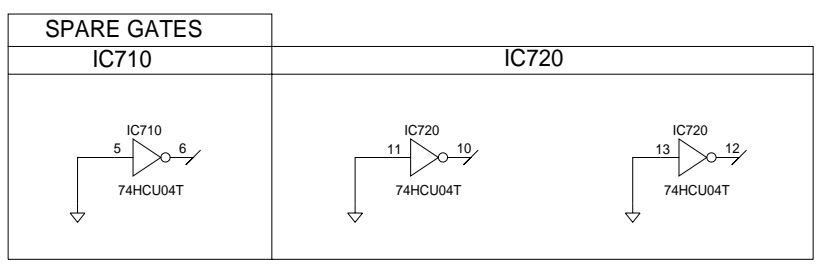
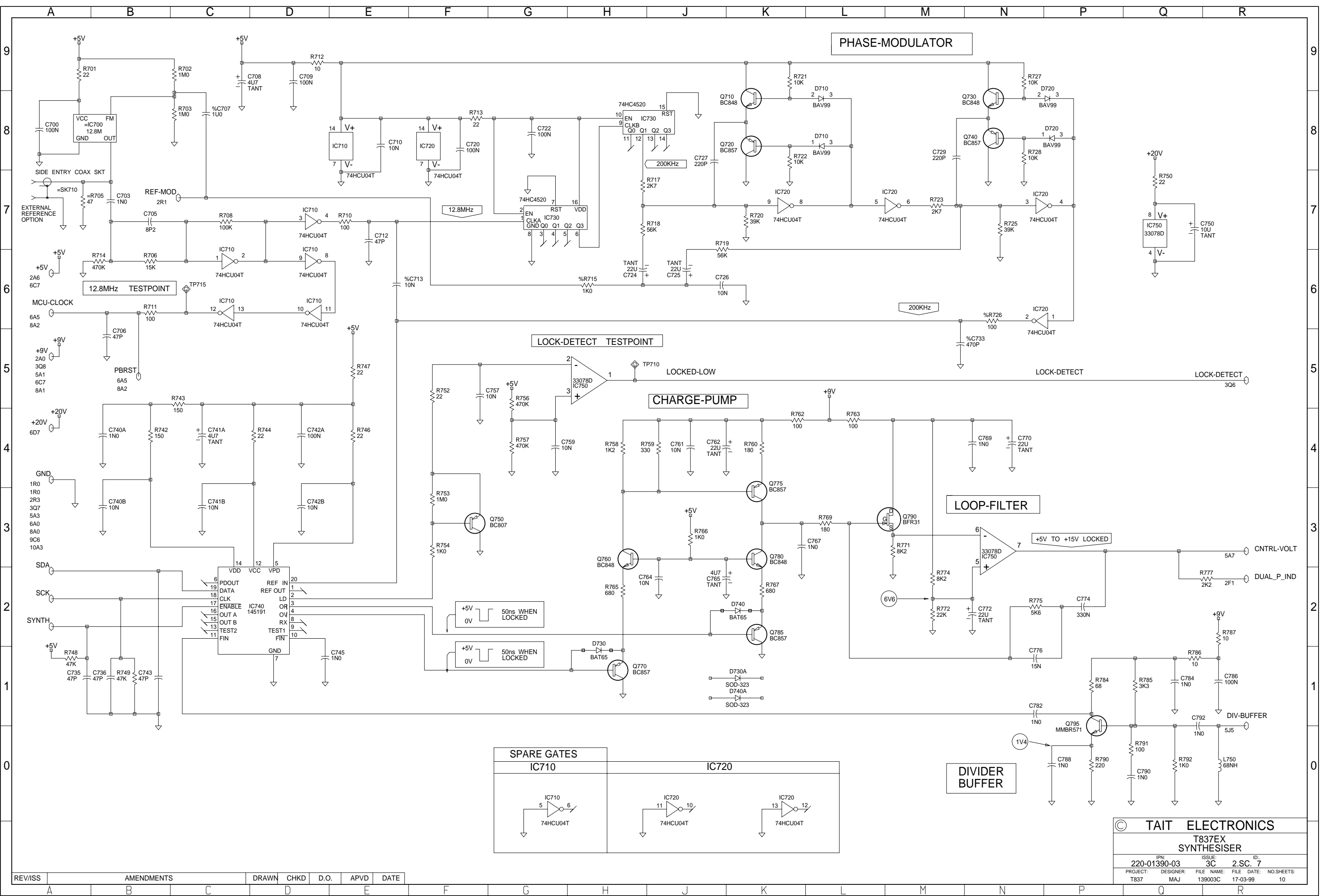


© TAIT ELECTRONICS			
T837EX VCO-SUB-ASSY			
IPN: 220-01390-03	ISSUE: 3C	ID: 2.S.C. 5	
PROJECT: T837	DESIGNER: MAJ	FILE NAME: 139003C	FILE DATE: 17-03-99
		NO. SHEETS: 10	

REV/ISS	AMENDMENTS	DRAWN	CHKD	D.O.	APVD	DATE



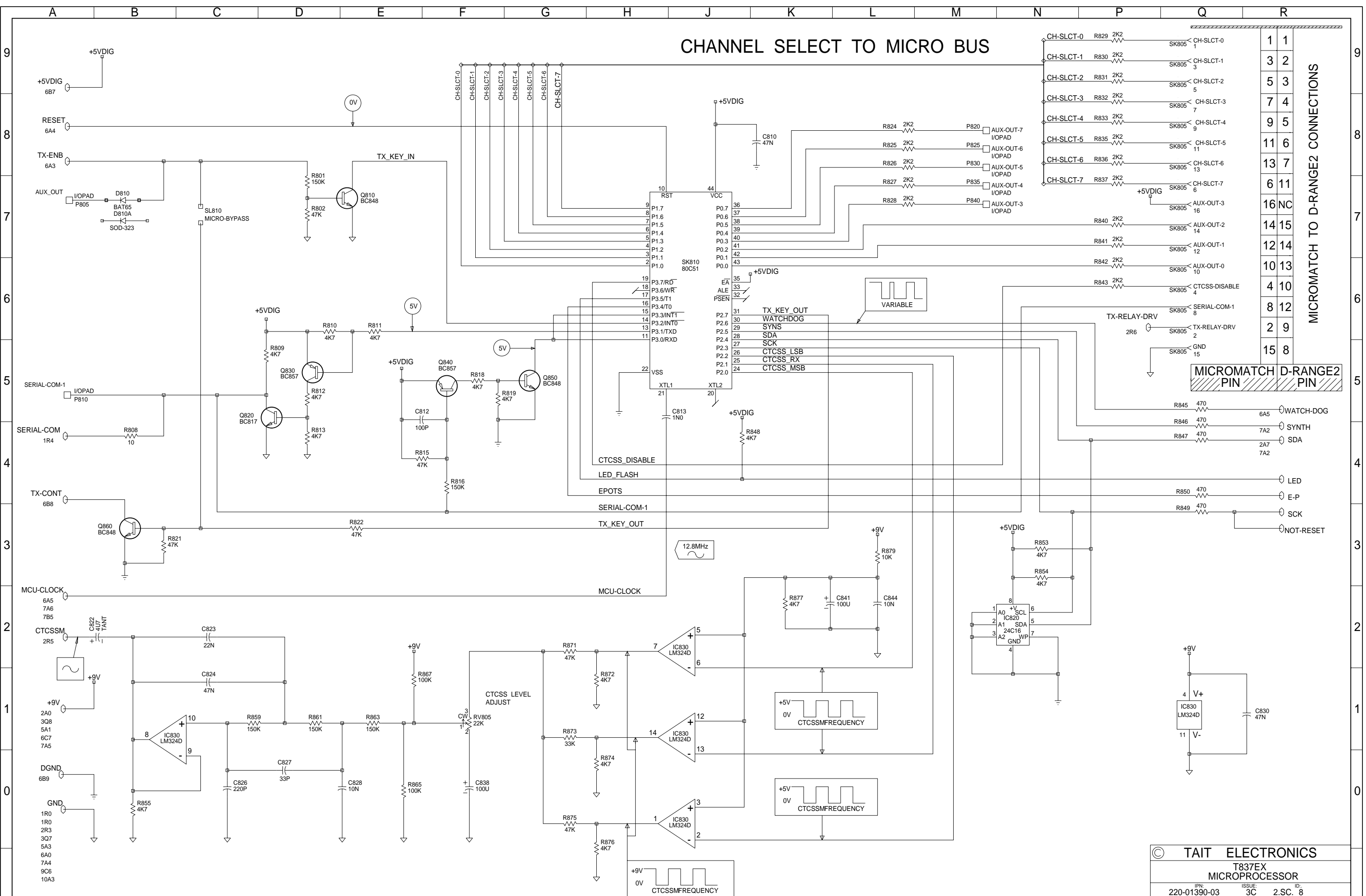
REV/ISS	AMENDMENTS	DRAWN	CHKD	D.O.	APVD	DATE
A						



© **TAIT ELECTRONICS**
T837EX SYNTHESIZER
 IPN: 220-01390-03 ISSUE: 3C ID: 2.S.C. 7
 PROJECT: T837 DESIGNER: MAJ FILE NAME: 139003C FILE DATE: 17-03-99 NO.SHEETS: 10

REV/ISS	AMENDMENTS	DRAWN	CHKD	D.O.	APVD	DATE
A						

CHANNEL SELECT TO MICRO BUS



MICROMATCH PIN	D-RANGE2 PIN
1	1
3	2
5	3
7	4
9	5
11	6
13	7
16	NC
14	15
12	14
10	13
4	10
8	12
2	9
15	8

MICROMATCH TO D-RANGE2 CONNECTIONS

© TAIT ELECTRONICS

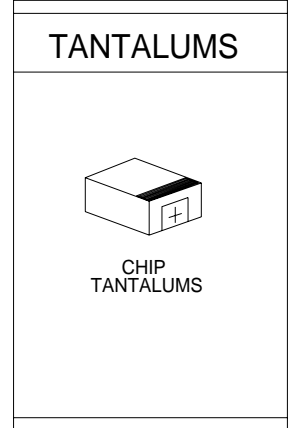
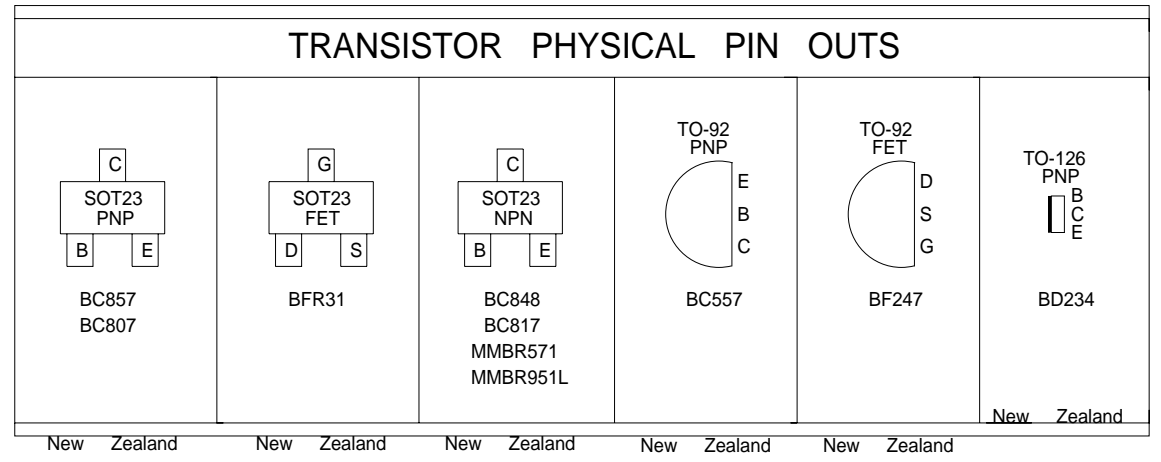
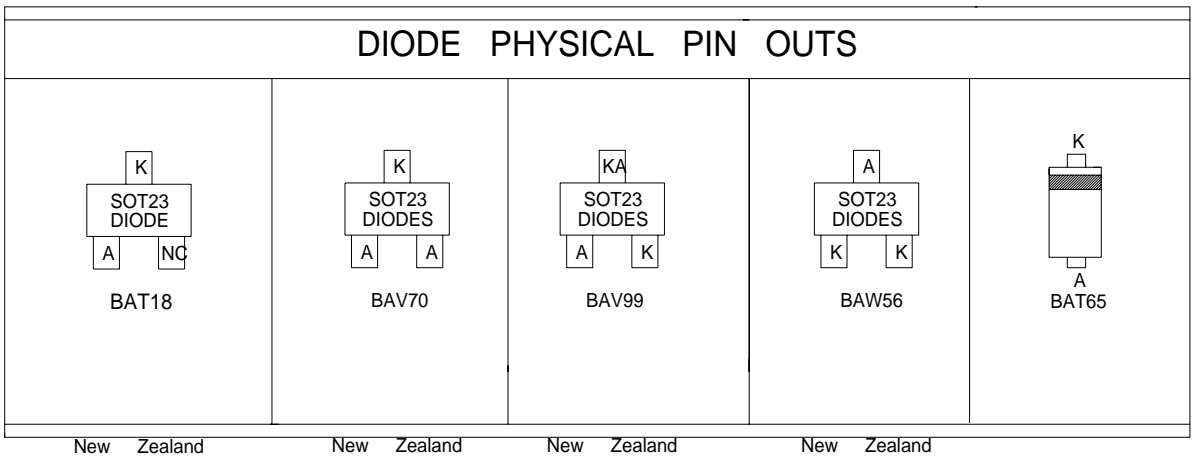
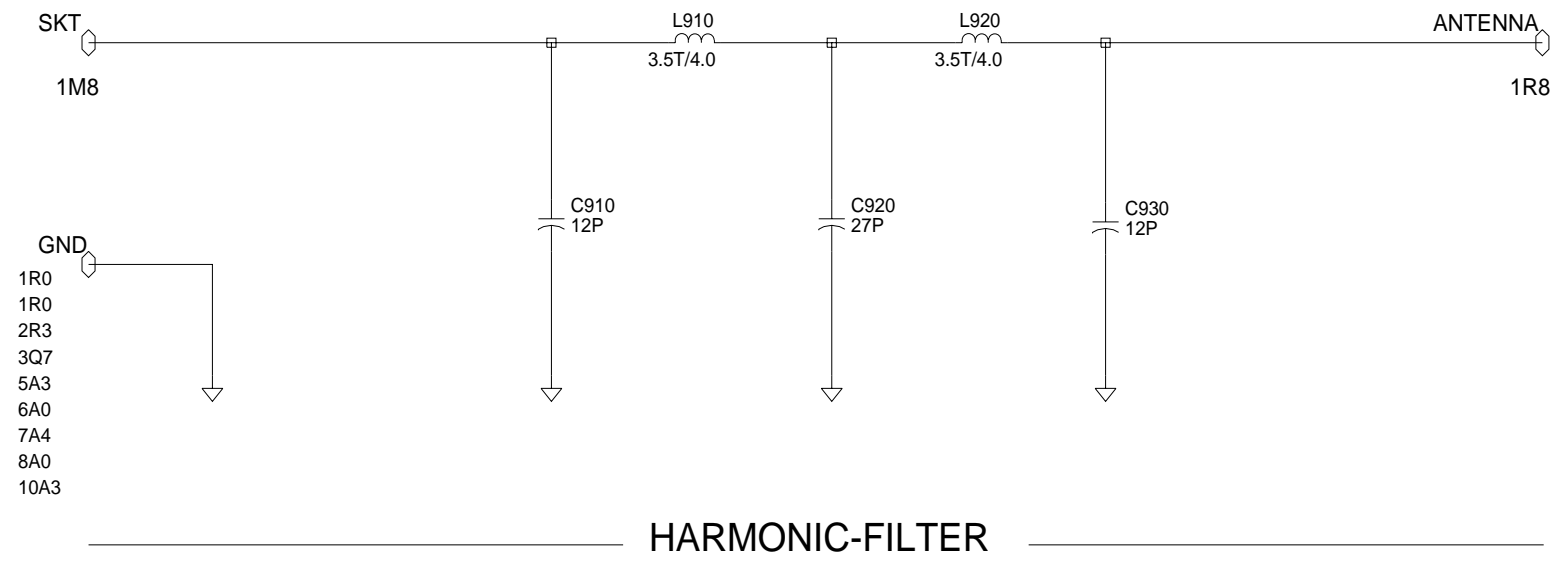
T837EX
MICROPROCESSOR

IPN: 220-01390-03	ISSUE: 3C	ID: 2.S.C. 8
PROJECT: T837	DESIGNER: MAJ	FILE NAME: 139003C
FILE DATE: 17-03-99	NO. SHEETS: 10	

REV/ISS	AMENDMENTS	DRAWN	CHKD	D.O.	APVD	DATE
A						
B						
C						
D						
E						

A B C D E F G H J K L M

9
8
7
6
5
4
3
2
1
0



© TAIT ELECTRONICS

T837EX
HARMONIC-FILTER

IPN: 220-01390-03 ISSUE: 3C ID: 2.SC. 9

PROJECT: T837 DESIGNER: MAJ FILE NAME: 139003C FILE DATE: 17-03-99 NO. SHEETS: 10

REV/ISS	AMENDMENTS	DRAWN	CHKD	D.O.	APVD	DATE
---------	------------	-------	------	------	------	------

A B C D E F G H J K L M